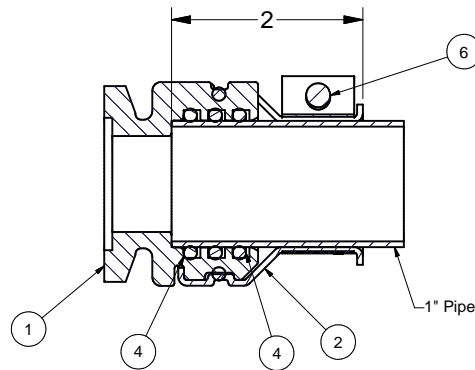
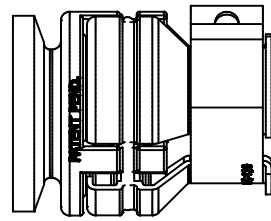
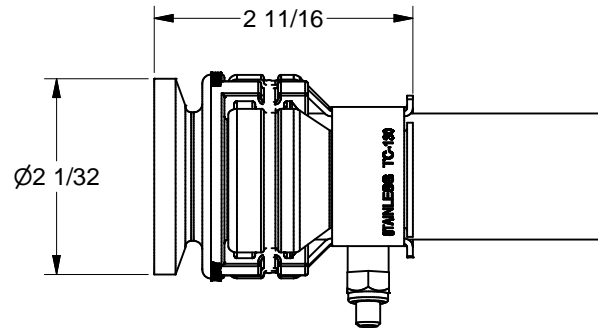
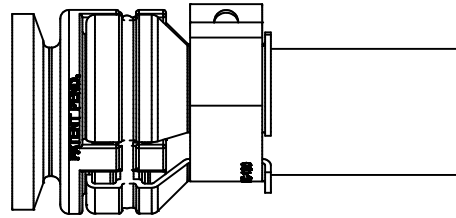
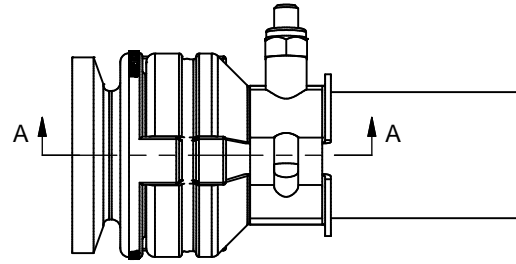
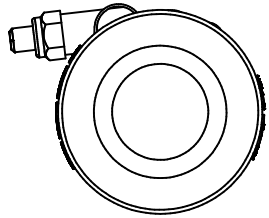


Parts List			
ITEM	QTY	PART NUMBER	DESCRIPTION
1	1	MPA1001	Manifold Pipe Adapter Molded Body
2	3	MPA1002	Pipe Adapter Bracket
4	3	A219	2-219 EPDM O-ring
6	1	TC130	1 1/4"-1 3/4" T-Bolt Clamp
7	1	DM20265E	2-224 EPDM O-ring



Pipe Not Included.

SECTION A-A  
SCALE 1 : 1

Note:

Lubricate internal o-rings before installing on pipe.

Clamp Torque: 65-85 in-lbs.

THIS DRAWING AND ALL INFORMATION CONTAINED THEREON ARE THE EXCLUSIVE PROPERTY OF BANJO CORPORATION.  
UNLESS SPECIFICALLY NOTED, THIS DRAWING AND ITEMS SHOWN ON THIS DRAWING ARE SUBJECT TO CHANGE AT ANY TIME.

	
<b>BANJO CORPORATION</b> 150 BANJO DRIVE, CRAWFORDSVILLE, IN 47933 WEB SITE: WWW.BANJOCORP.COM E-MAIL: SALES1@BANJOCORP.COM	
DESCRIPTION	1" Manifold Pipe Adapter
PART NUMBER	M100PA